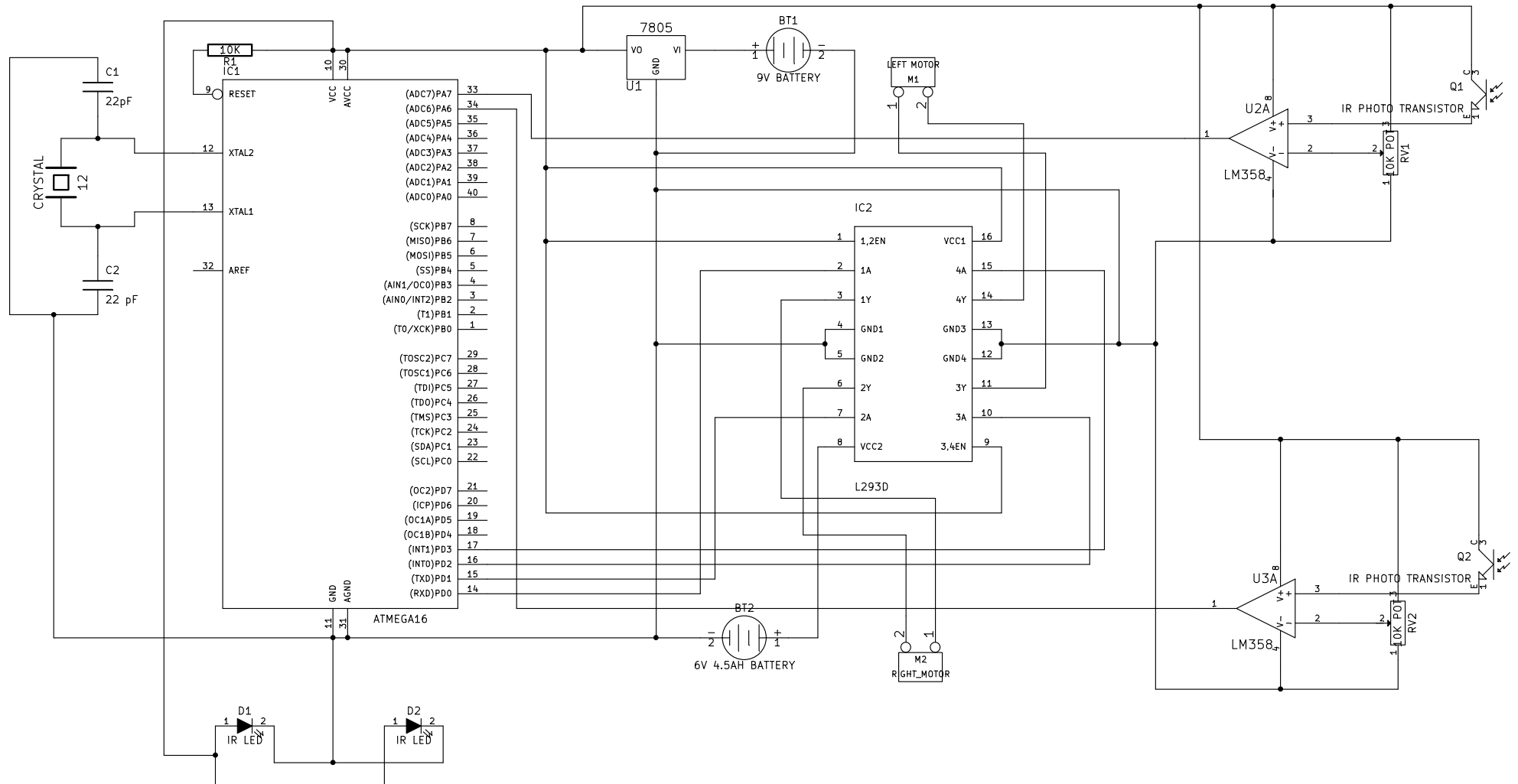


# OBSTACLE AVOIDING ROBOT



File: OBSTACLE\_ROBO.sch

Sheet: /

Title: noname.sch Allen Antony

Size: A4 Date: 30 jan 2011

KiCad E.D.A. eschema (20100406 SVN-R2508)-final

Rev:

Id: 1/1